

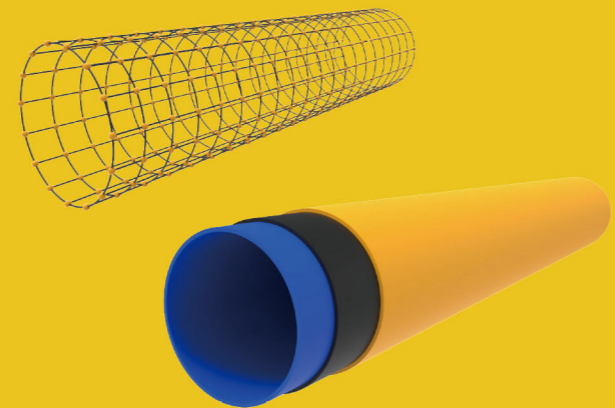


# THREE RAIL FLEXIBLE PEDESTRIAN BARRIER

## FLEXIBLE PLOYMER

### • Innovative three-layered material

- ① Core strength from within.
- ② Central zone for absorbing impact.
- ③ UV-resistant outer color layer.



Molecular reorientation in the manufacturing process results in a distinctive built-in memory, allowing the barrier to fully recover after impacts.



Model	TR100
Height	1150mm
Post	φ130mm
Rail	φ100mm x 3
Length	2000mm
BasePlate	170 x 170 x 10mm
Fixing	8.8 Grade M10 Expansion Bolt
Impact Energy	8760Joule
3tons Forklift hit at	8.4km/h
Temperature Range	-5~50°C

### • Advantages

- |                              |   |
|------------------------------|---|
| 1.Coupling Structure         | 9.Strong chemical resistance              |
| 2.Quick Disassembly          | 10.No painting required                   |
| 3.Flexible Assembly          | 11.Recoverability and Memorability        |
| 4.Convenient Maintenance     | 12.Modular combination                    |
| 5.Chemical and UV resistance | 13.TUV certified                          |
| 6.Corrosion resistance       | 14.A tailored solution for every scenario |
| 7.No maintenance             | 15.Choice of options and heights          |
| 8.Safe and non-toxic         | 16.Deflection at Max Energy : 320mm       |

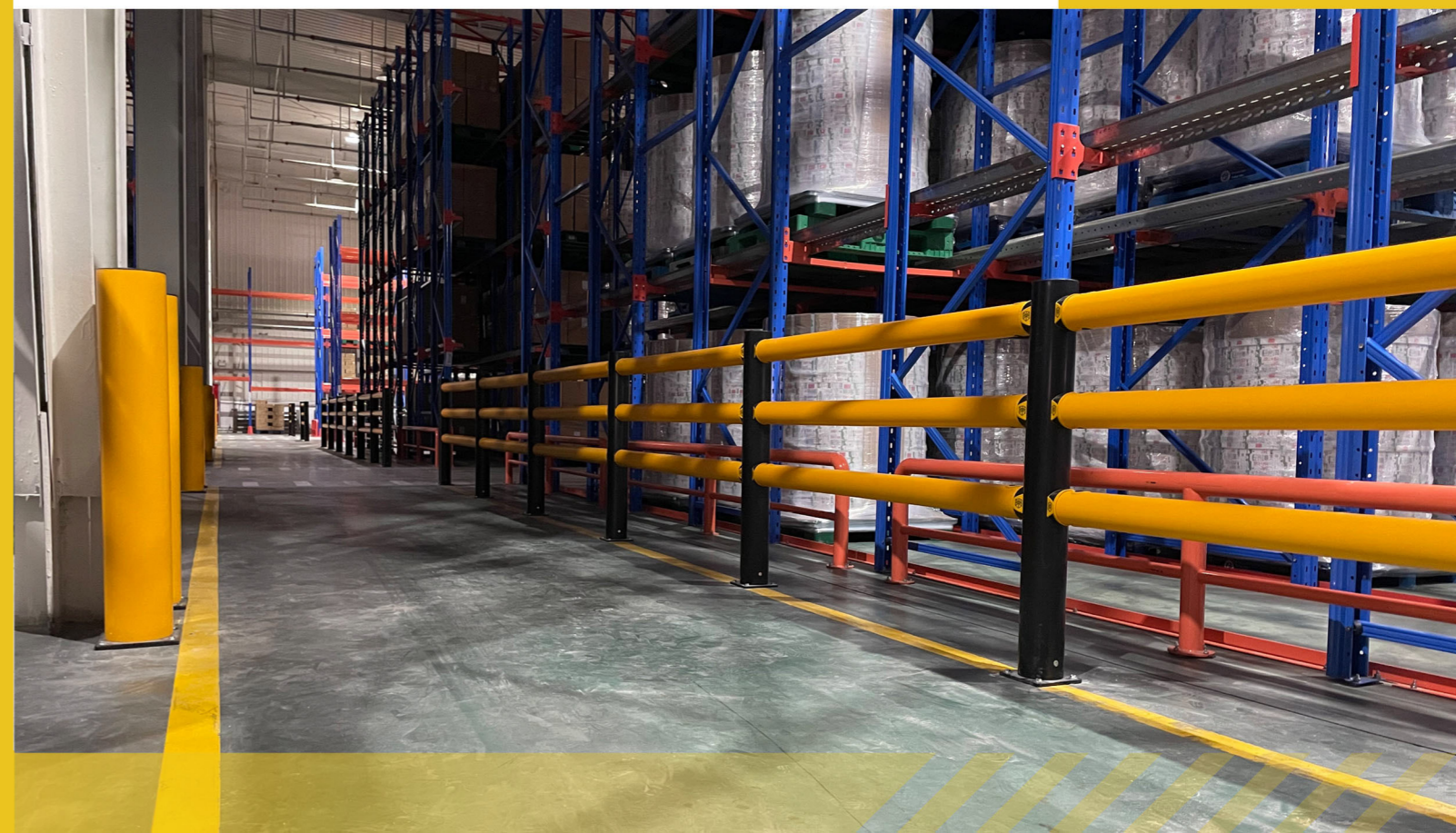
### • Applications and typical environments

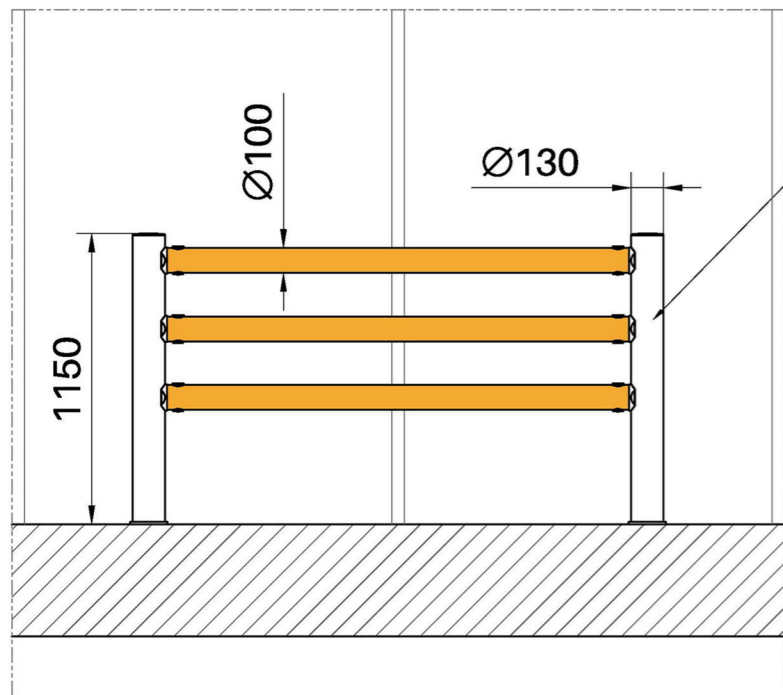
Aotons Pedestrian barrier is designed to protect the pedestrians . Define walkway for people in reception or office , guides pedestrians and driver, with organize operations and prevent pedestrians from accidently into vehicle routes and unsafe area.

Logistics,supply chain and material handling industries	
Transport and logistics centers	Warehouses and storage facilities
Carparkbuildings	(Petro-)chemical plants
Distribution centers	and more

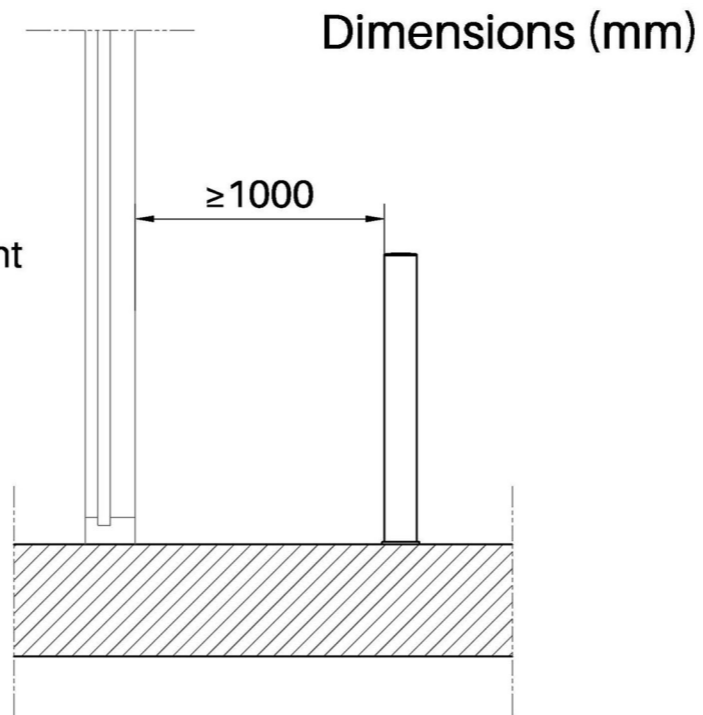
### • Fixations

M10 Expansion Bolt



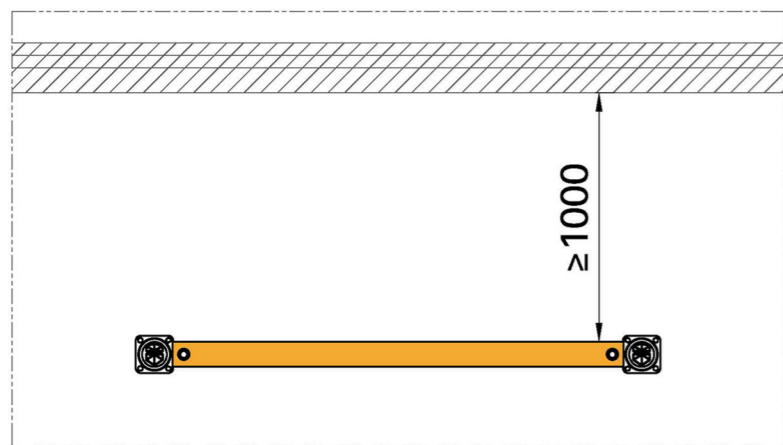
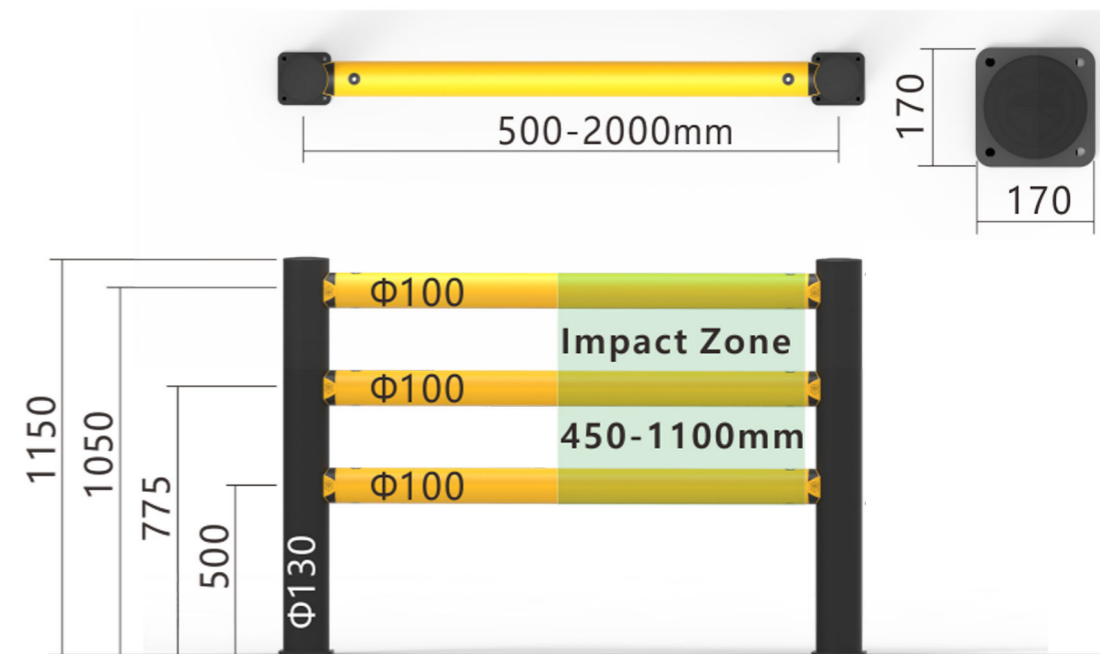


Impact Zone  
0.45 - 1.1 m height



Dimensions (mm)

## TR 100



Rated Impact Energy : 8760 Joule  
 Rated working angle : 45°  
 Post : RAL 9005, Jet black  
 Rail : RAL 1003, Signal yellow  
 Bolt : 8.8 grade M10 Expansion Bolt

