



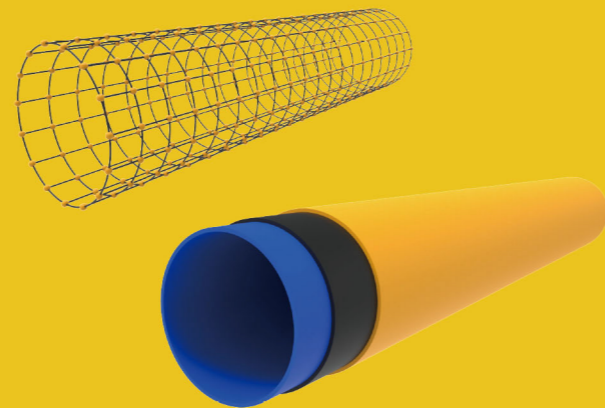
DOUBLE RAIL FLEXIBLE SAFETY BARRIER

FLEXIBLE PLOYMER

• Innovative three-layered material

- ① Core strength from within.
- ② Central zone for absorbing impact.
- ③ UV-resistant outer color layer.

Molecular reorientation in the manufacturing process results in a distinctive built-in memory, allowing the barrier to fully recover after impacts.



Model	DR148
Height	800mm
Post	φ168mm
Rail	φ148mm
Length	2000mm
BasePlate	200 x 200 x 10mm
Fixing	8.8 Grade M10 Expansion Bolt
Impact Energy	19000Joule
6tons Forklift hit at	9km/h
Temperature Range	-5~50°C

• Advantages

- | | |
|------------------------------|---|
| 1.Coupling Structure | 9.Strong chemical resistance |
| 2.Quick Disassembiy | 10.No painting required |
| 3.Flexible Assembly | 11.Recoverability and Memorability |
| 4.Convenient Maintenance | 12.Modular combination |
| 5.Chemical and UV resistance | 13.TUV certified |
| 6.Corrosion resistance | 14.A tailored solution for every scenario |
| 7.No maintenance | 15.Choice of options and heights |
| 8.Safe and non-toxic | 16.Deflection at Max Energy : 370mm |

• Applications and typical environments

Aotons Double Rail Safety Barrier designed to protect various industrial places , can reliable protection for strategic, vulnerable locations such as front of racks and machinery, electric box , walls , corners , and building facades . They are ideal for areas exposed to damage from forklifts and industrial trucks .Strong and durable, the yellow color is highly visible to driver's attention to safe driving .

Logistics,supply chain and material handling industries	
Transport and logistics centers	Warehouses and storage facilities
Carparkbuildings	(Petro-)chemical plants
Distribution centers	and more

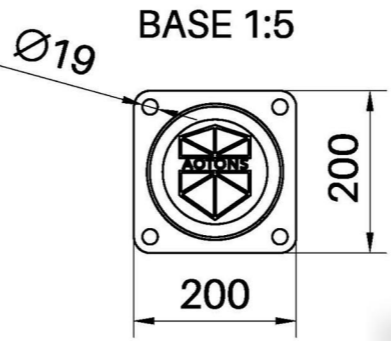
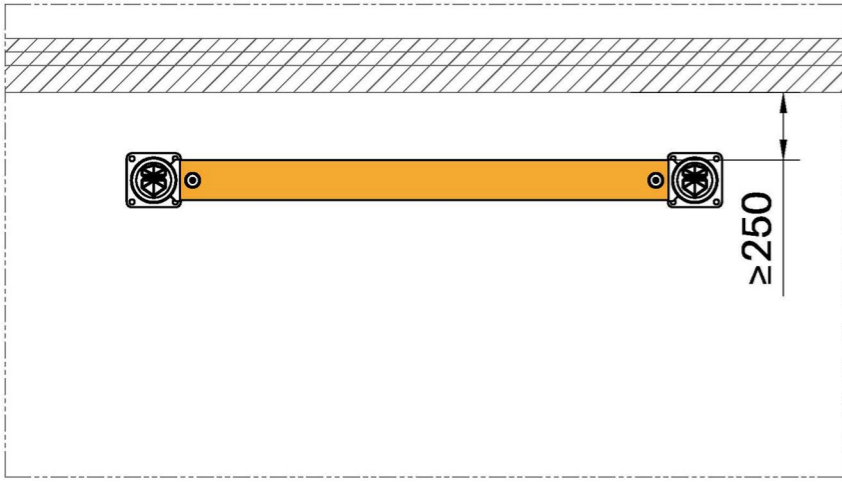
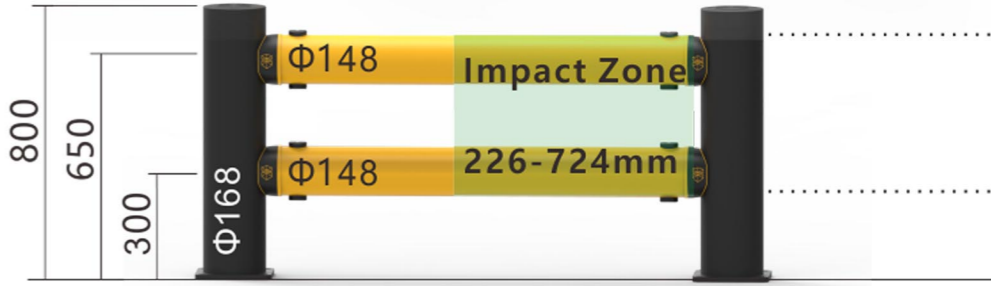
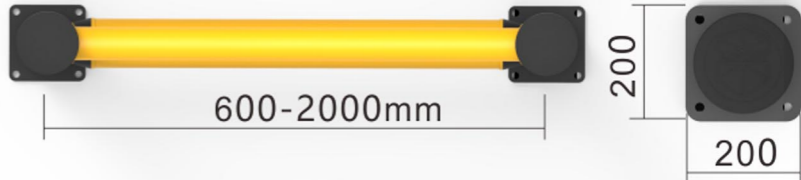
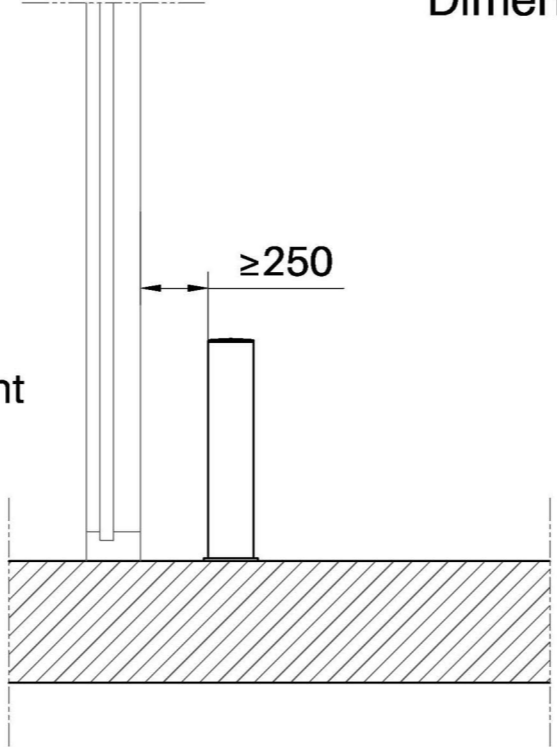
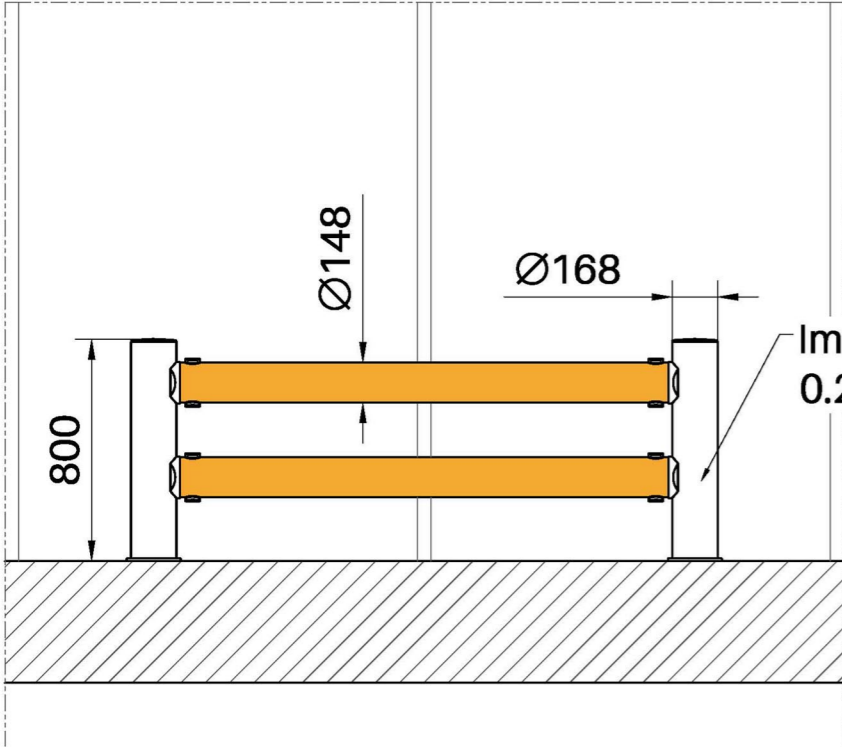
• Fixations

M10 Expansion Bolt



Dimensions (mm)

DR 148



- Rated Impact Energy : 19000 Joule
- Rated working angle : 45°
- Post : RAL 9005 , Jet black
- Rail : RAL 1003 , Signal yellow
- Bolt : 8.8 grade M10 Expansion Bolt

