



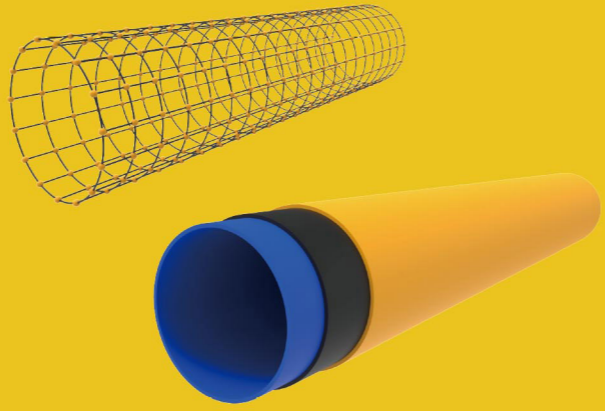
SELF-CLOSE SWING GATE

FLEXIBLE PLOYMER

Innovative three-layered material

- ① Core strength from within.
- ② Central zone for absorbing impact.
- ③ UV-resistant outer color layer.

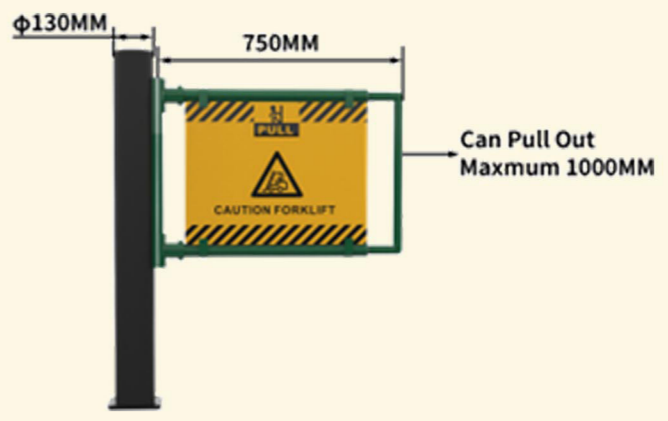
Molecular reorientation in the manufacturing process results in a distinctive built-in memory, allowing the barrier to fully recover after impacts.



Model	SWG
Height	1150mm
Post	φ130mm
Length	750-2000mm
BasePlate	170 x 170 x 10mm
Fixing	8.8 Grade M10 Expansion Bolt
Hinge	Self-Close

Advantages

- 1.Quick Disassembly
- 2.Flexible Assembly
- 3.Convenient Maintenance
- 4.Self-Close



Applications and typical environments

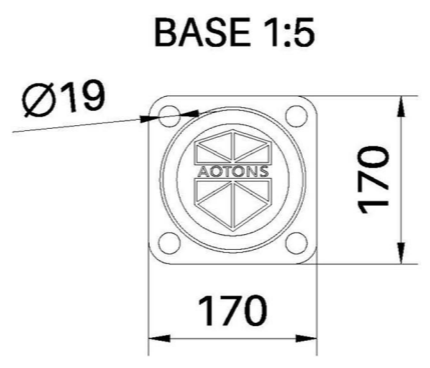
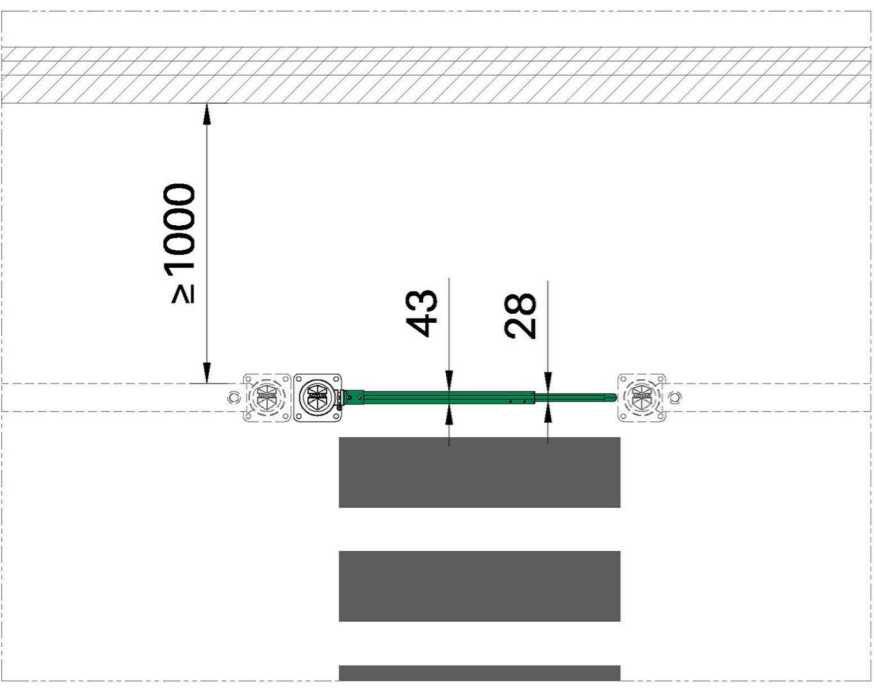
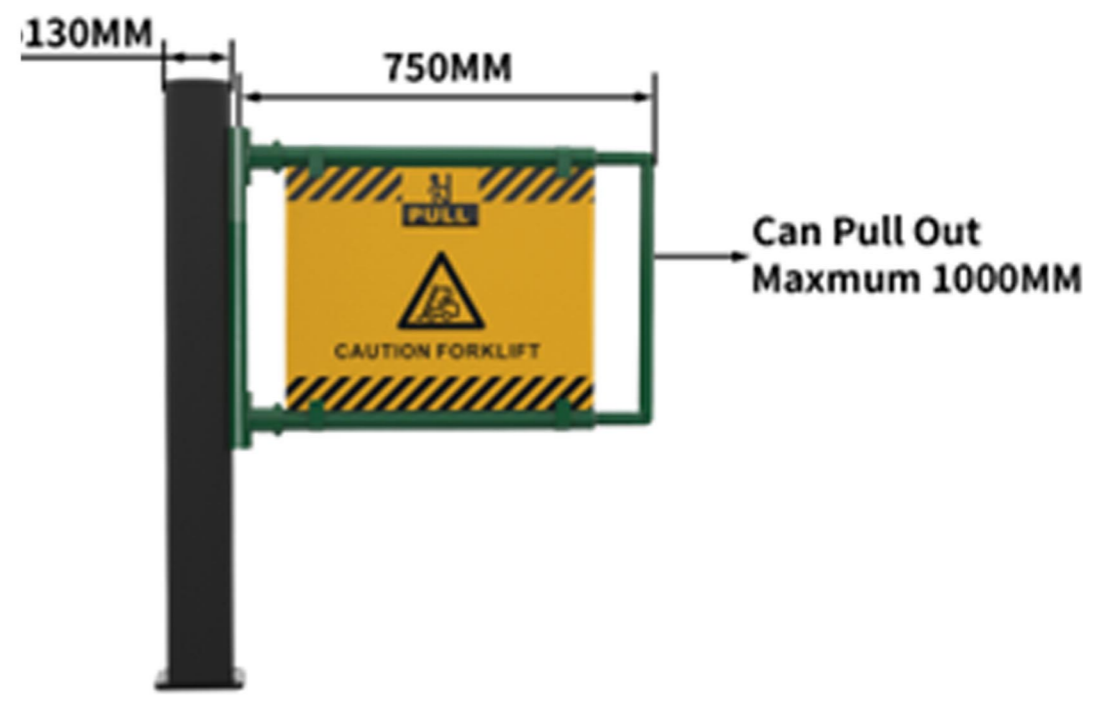
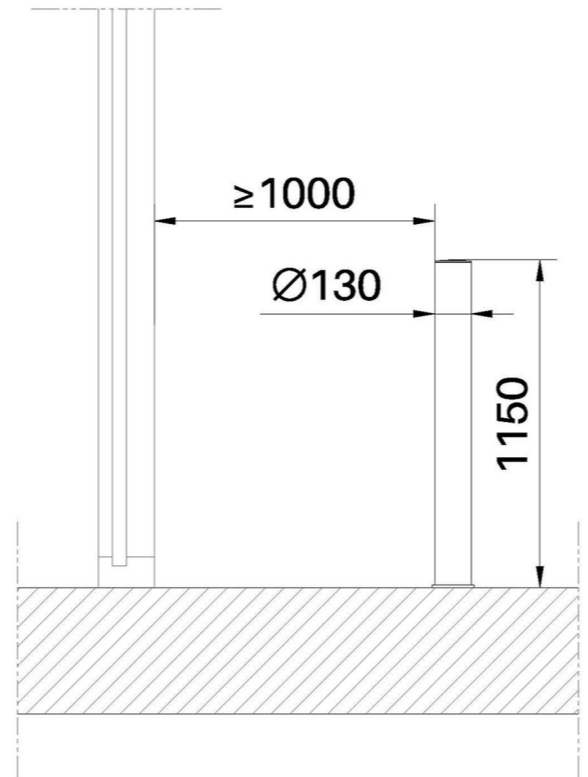
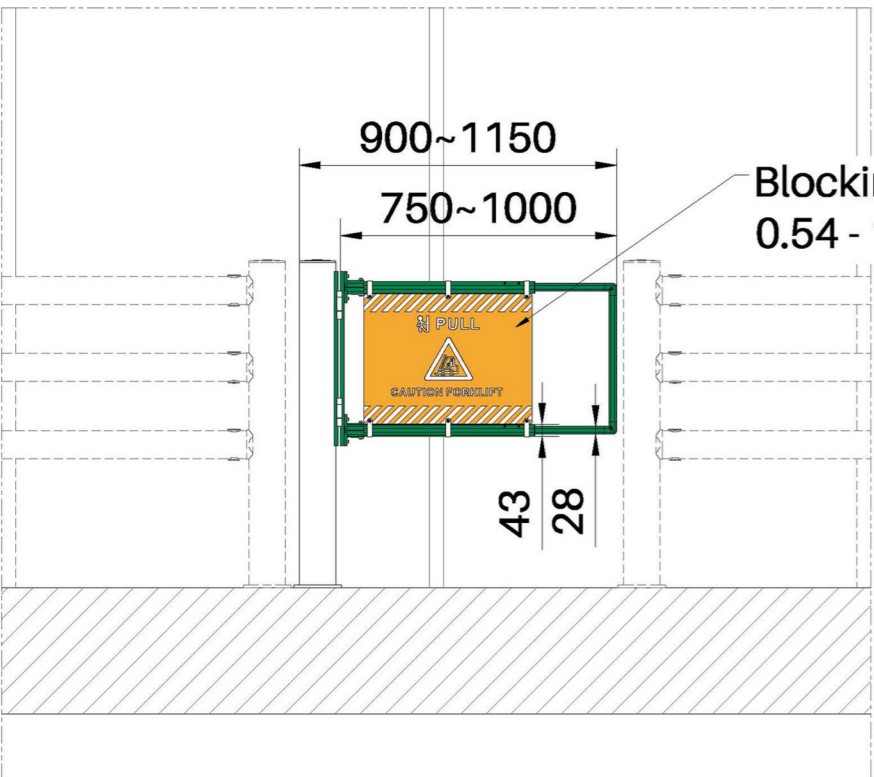
Aotons Self-Close Swing Gare provides safe access to the safety area floor.

Logistics,supply chain and material handling industries	
Transport and logistics centers	Warehouses and storage facilities
Carparkbuildings	(Petro-)chemical plants
Distribution centers	and more

Fixations

M10 Expansion Bolt





Post : RAL 9005 , Jet black
Gate : RAL 6042 , Traffic green
Gate width : Adjustable from 750mm to 1000mm
Bolt : 8.8 grade M10 Expansion Bolt

