



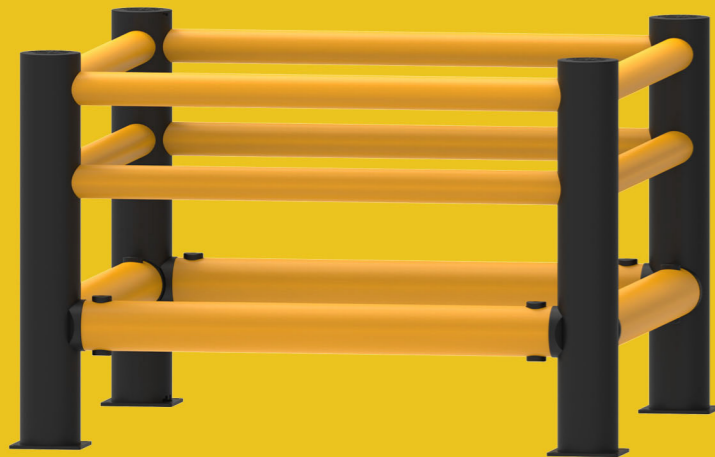
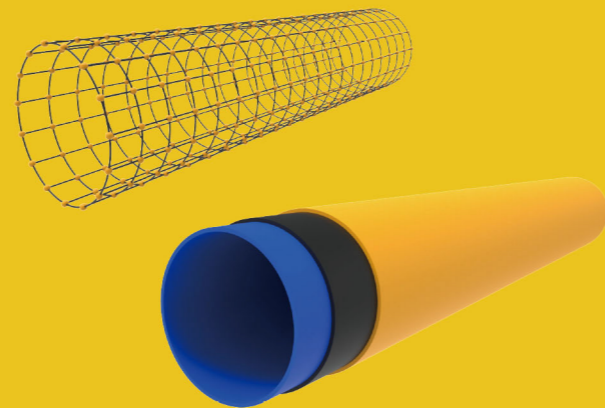
# THE MOST STRONGEST IMPACT ENERGY COLUMN PROTECTOR

## FLEXIBLE PLOYMER

### • Innovative three-layered material

- ① Core strength from within.
- ② Central zone for absorbing impact.
- ③ UV-resistant outer color layer.

Molecular reorientation in the manufacturing process results in a distinctive built-in memory, allowing the barrier to fully recover after impacts.



Model	CTR148
Height	1150mm
Post	φ168mm
Rail	φ148mm+φ100mm x 2
Length	600-2000mm
BasePlate	200 x 200 x 10mm
Fixing	8.8 Grade M10 Expansion Bolt
Impact Energy	14400Joule
4tons Forklift hit at	9.6km/h
Temperature Range	-5~50

### • Advantages

- |                              |                                           |
|------------------------------|-------------------------------------------|
| 1.Coupling Structure         | 9.Strong chemical resistance              |
| 2.Quick Disassembly          | 10.No painting required                   |
| 3.Flexible Assembly          | 11.Recoverability and Memorability        |
| 4.Convenient Maintenance     | 12.Modular combination                    |
| 5.Chemical and UV resistance | 13.TUV certified                          |
| 6.Corrosion resistance       | 14.A tailored solution for every scenario |
| 7.No maintenance             | 15.Choice of options and heights          |
| 8.Safe and non-toxic         | 16.Deflection at Max Energy : 430mm       |

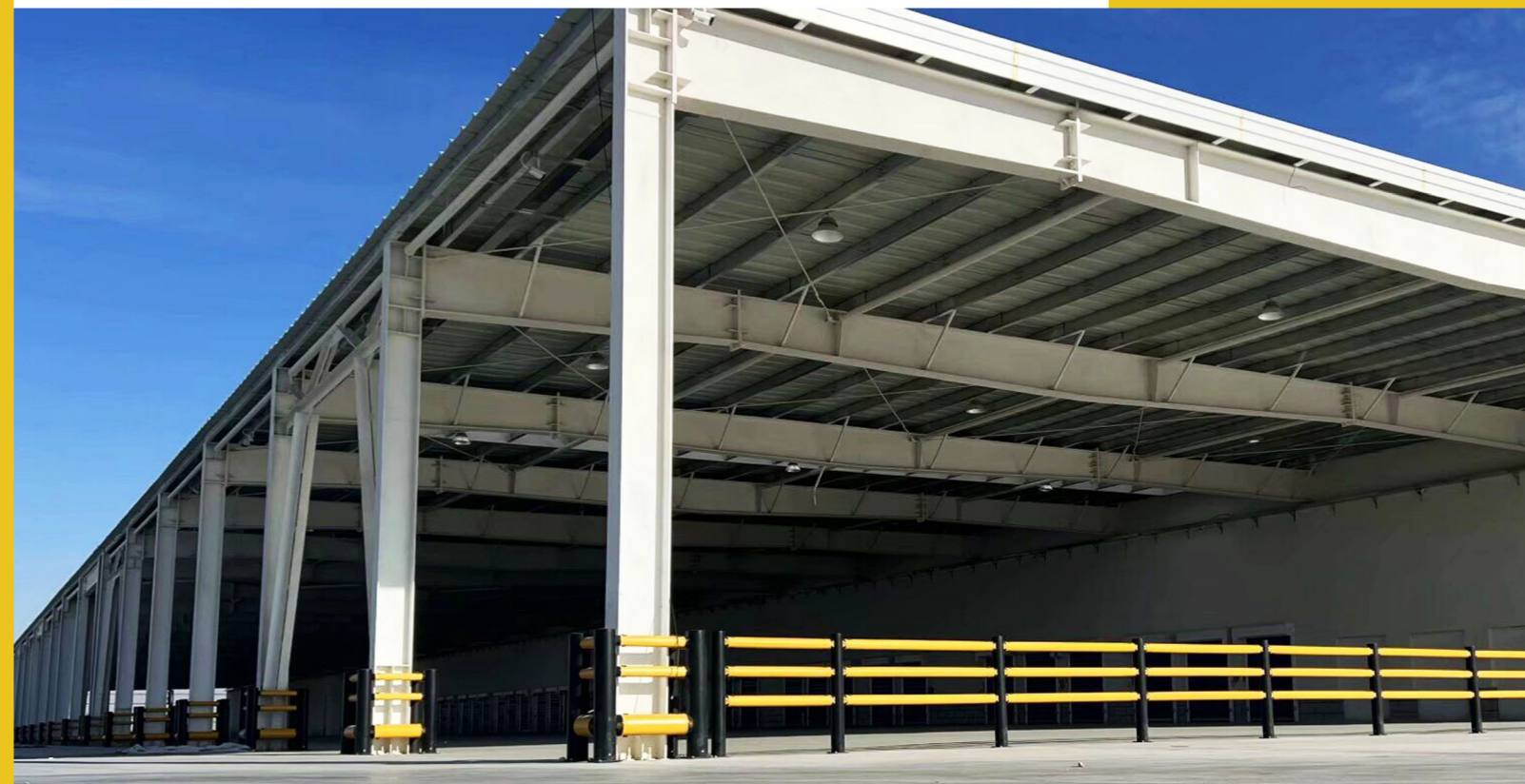
### • Applications and typical environments

Aotons Column protector made from high-quality polymer materials, it combines with flexibility, providing excellent protect for columns, building supports and any size and shape . Flexible column protector provides 360° protection for columns , if without protector columns are damaged or hit by forklift , can lead to serious structural or infrasturecture damage .

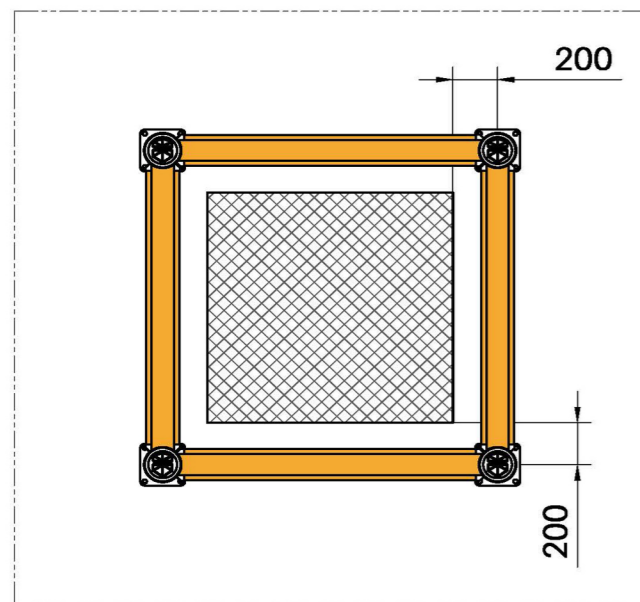
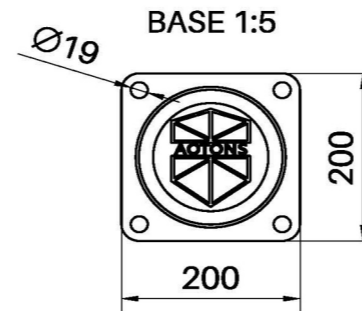
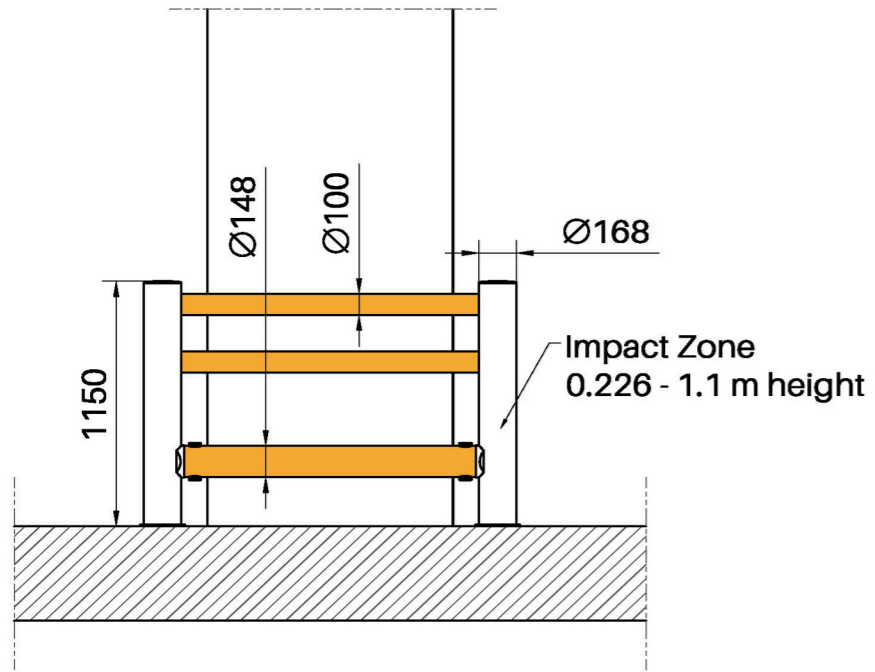
Logistics,supply chain and material handling industries	
Transport and logistics centers	Warehouses and storage facilities
Car parkbuildings	(Petro-)chemical plants
Distribution centers	and more

### • Fixations

M10 Expansion Bolt



## Dimensions (mm)



Rated Impact Energy : 14400 Joule  
 Rated working angle : 45°  
 Post : RAL 9005 , Jet black  
 Rail : RAL 1003 , Signal yellow  
 Bolt : 8.8 grade M10 Expansion Bolt

## CTR 148

