



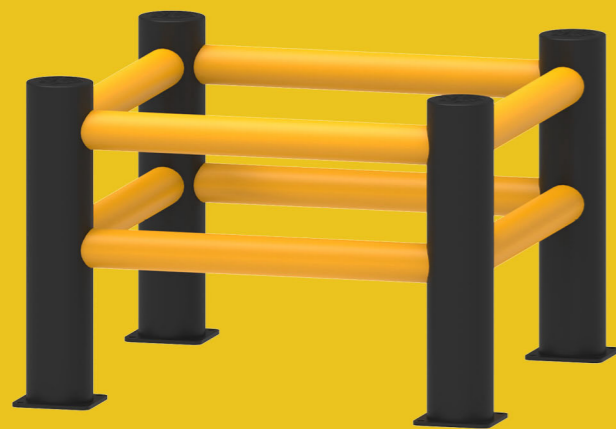
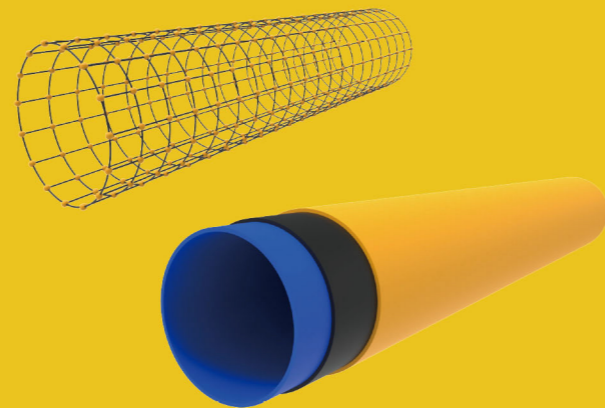
# THE MOST STRONGEST IMPACT ENERGY COLUMN PROTECTOR

## FLEXIBLE PLOYMER

### • Innovative three-layered material

- ① Core strength from within.
- ② Central zone for absorbing impact.
- ③ UV-resistant outer color layer.

Molecular reorientation in the manufacturing process results in a distinctive built-in memory, allowing the barrier to fully recover after impacts.



Model	Column protector
Height	800mm
Post	φ168mm
Rail	φ100mm*2
Length	600-1500mm
BasePlate	200 x 200 x 10mm
Fixing	8.8 Grade M10 Expansion Bolt
Impact Energy	6780Joule
3tons Forklift hit at	7.5km/h
Temperature Range	-5~50°C

### • Advantages

- |                              |   |
|------------------------------|---|
| 1.Coupling Structure         | 9.Strong chemical resistance              |
| 2.Quick Disassembiy          | 10.No painting required                   |
| 3.Flexible Assembly          | 11.Recoverability and Memorability        |
| 4.Convenient Maintenance     | 12.Modular combination                    |
| 5.Chemical and UV resistance | 13.TUV certified                          |
| 6.Corrosion resistance       | 14.A tailored solution for every scenario |
| 7.No maintenance             | 15.Choice of options and heights          |
| 8.Safe and non-toxic         | 16.Deflection at Max Energy : 320mm       |

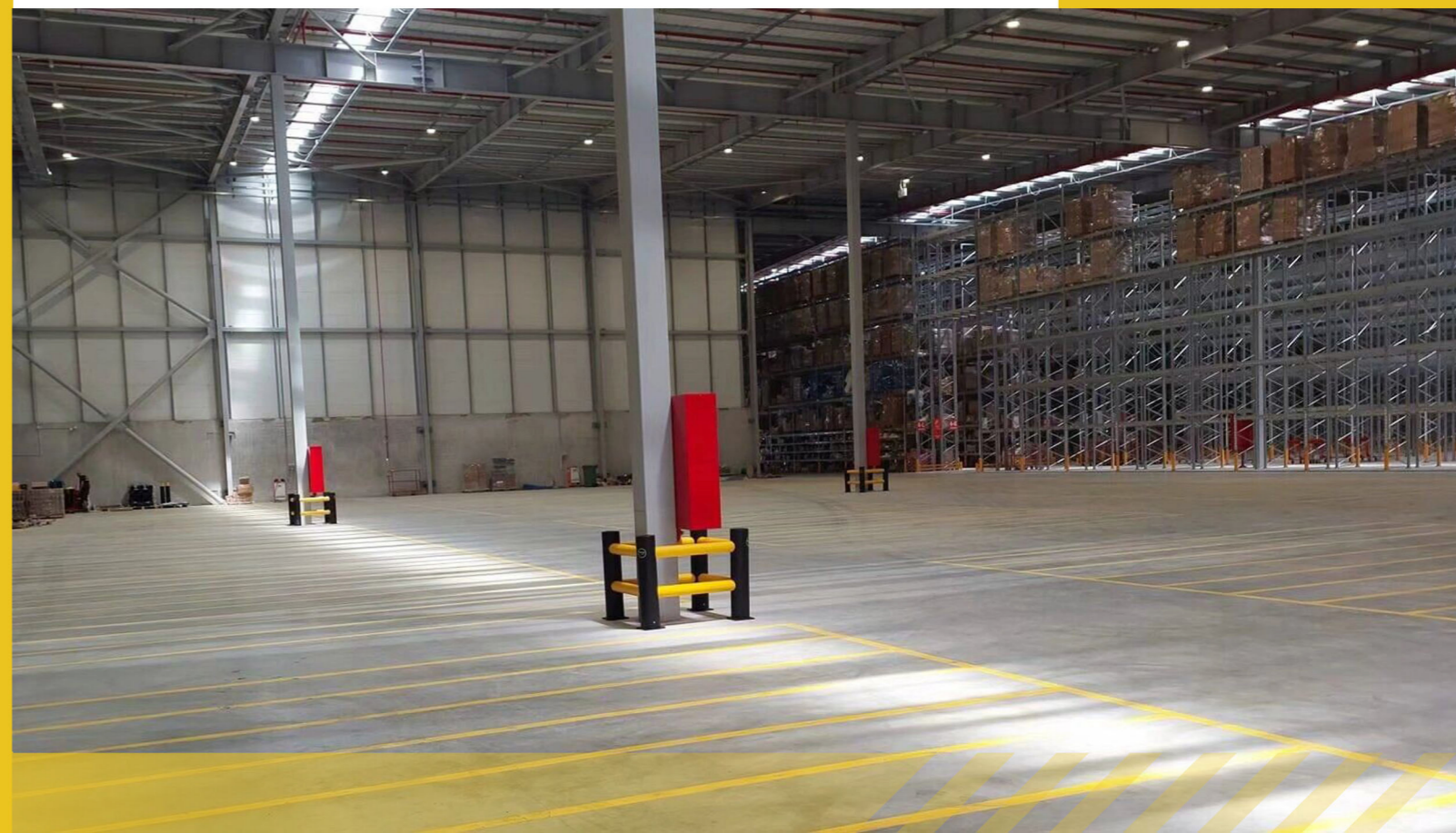
### • Applications and typical environments

Aotons Column protector made from high-quality polymer materials, it combines with flexibility, providing excellent protect for columns, building supports and any size and shape . Flexible column protector provides 360° protection for columns , if without protector columns are damaged or hit by forklift , can lead to serious structural or infrastrecture damage .

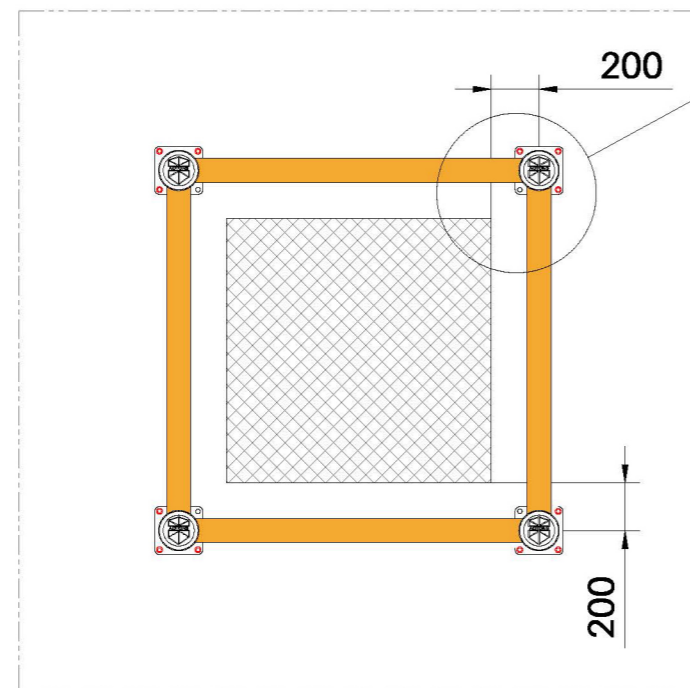
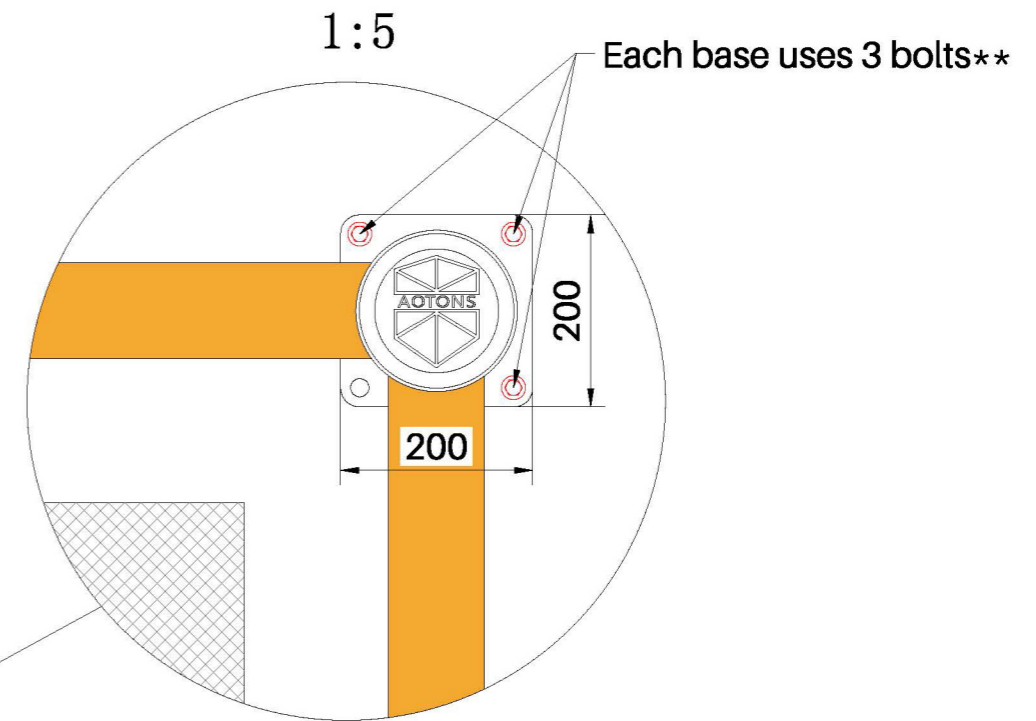
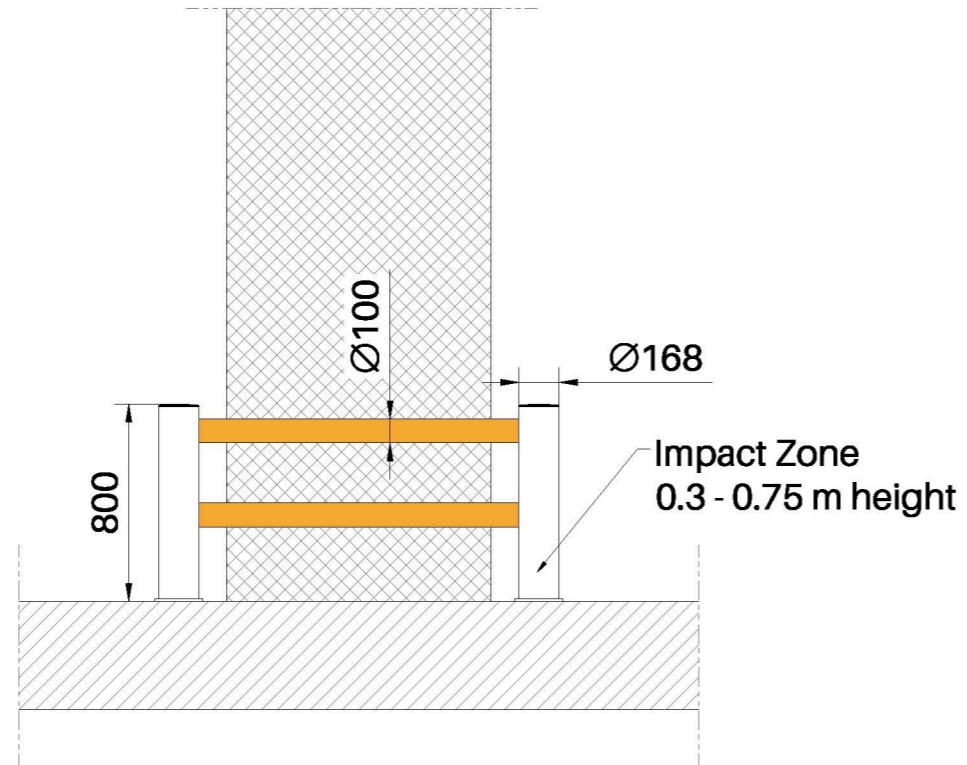
Logistics,supply chain and material handling industries	
Transport and logistics centers	Warehouses and storage facilities
Car parkbuildings	(Petro-)chemical plants
Distribution centers	and more

### • Fixations

M10 Expansion Bolt



## Dimensions (mm)



Rated Impact Energy : 6780 Joule

Rated working angle : 45°

Post : RAL 9005 , Jet black

Rail : RAL 1003 , Signal yellow

Bolt : 12 sets 8.8 grade M10 Expansion Bolt

\*\* Due to the actual installation site, it is easy to cause little bit fragmentation of the ground when the inner bolt is too close to the column, therefore we recommended not to install inner bolt . The impact energy will not affected without inner bolt.

				Installation Drawing			AOTONS	
							Column Protection Barrier	
标注	数量	更改文件号	签字	日期	图样标记	重量	比例	AT-WX-CTR168-100
设计	SUN		标准				1:20	
审核								
工艺			日期	2024-08-28	共 页		第 页	