



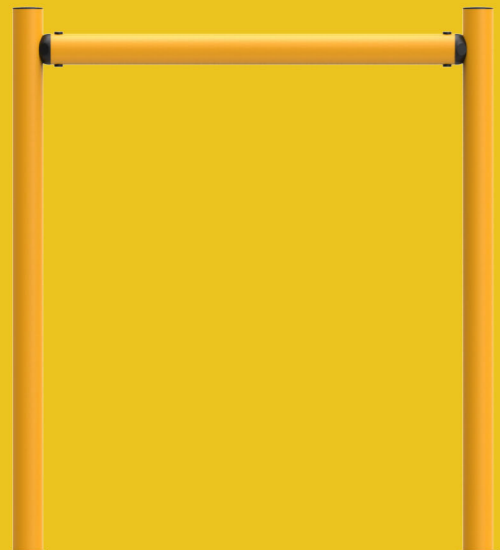
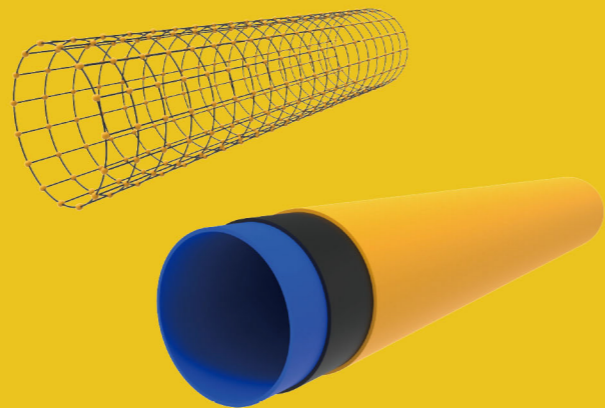
# HEIGHT RESTRICT INDUSTRIAL DOOR PROTECTION

## FLEXIBLE PLOYMER

### • Innovative three-layered material

- ① Core strength from within.
- ② Central zone for absorbing impact.
- ③ UV-resistant outer color layer.

Molecular reorientation in the manufacturing process results in a distinctive built-in memory, allowing the barrier to fully recover after impacts.



Model	LDSR148
Height	≤5800mm
Post	φ190mm
Rail	φ148mm
Length	≤5800mm
BasePlate	230 x 230 x 14mm
Fixing	8.8 Grade M12 Expansion Bolt
Impact Energy	5400Joule
6tons Forklift hit at	4.8km/h
Temperature Range	-5~50°C

### • Advantages

- |                              |   |
|------------------------------|---|
| 1.Coupling Structure         | 9.Strong chemical resistance              |
| 2.Quick Disassembly          | 10.No painting required                   |
| 3.Flexible Assembly          | 11.Recoverability and Memorability        |
| 4.Convenient Maintenance     | 12.Modular combination                    |
| 5.Chemical and UV resistance | 13.TUV certified                          |
| 6.Corrosion resistance       | 14.A tailored solution for every scenario |
| 7.No maintenance             | 15.Choice of options and heights          |
| 8.Safe and non-toxic         | 16.Deflection 15° Lean                    |

### • Applications and typical environments

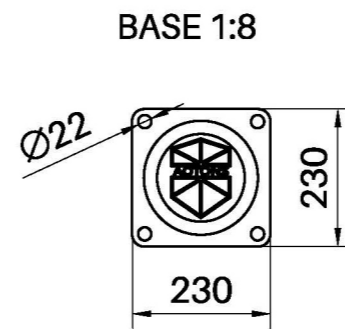
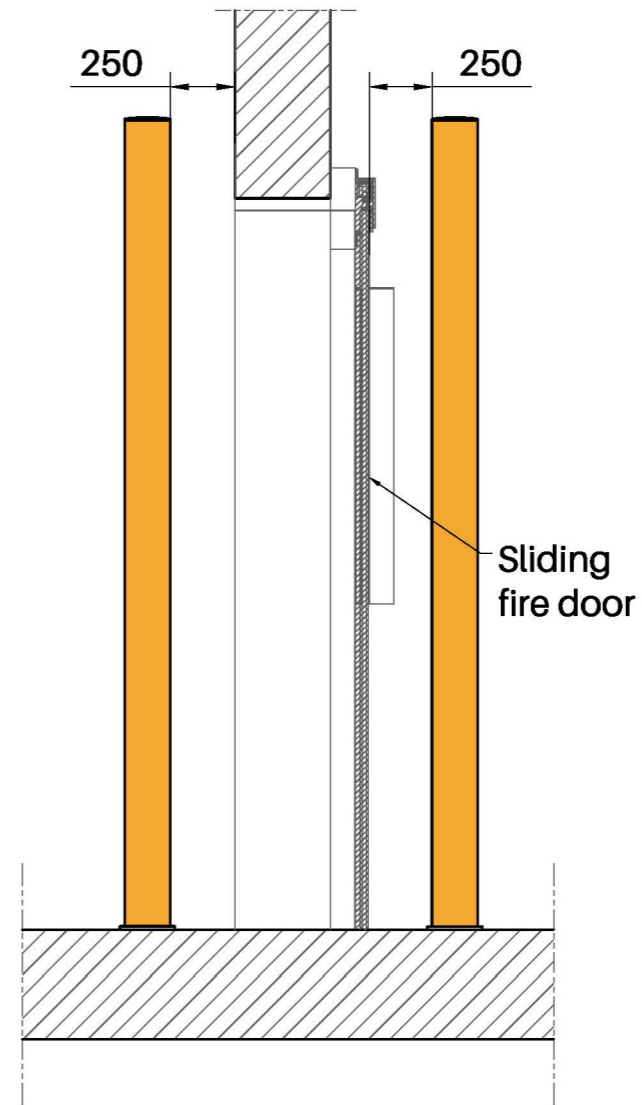
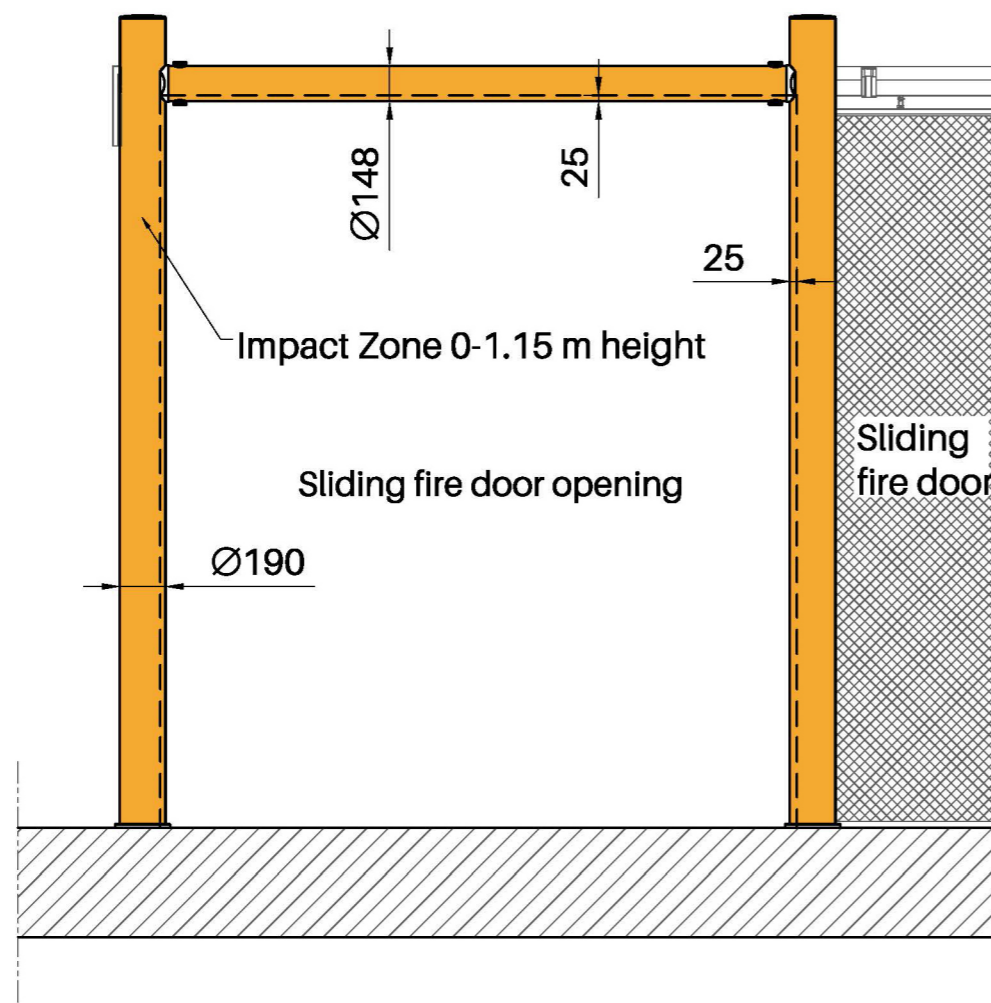
Height restrictors is used to protect industrial doors from vehicle impacts . It offer physical protection from both side and height impacts , Prevent vehicle or goods from making contact with door .

Logistics,supply chain and material handling industries	
Transport and logistics centers	Warehouses and storage facilities
Carparkbuildings	(Petro-)chemical plants
Distribution centers	and more

### • Fixations

M12 Expansion Bolt





Rated Impact Energy : 5400 Joule  
 Rated working angle : 90°  
 Post : RAL 1003 , Signal yellow  
 Rail : RAL 1003 , Signal yellow  
 Bolt : 8.8 grade M12 Expansion Bolt

				Installation Drawing			AOTONS	
							Height Restrictor	
设计	SUN	审核		图样标记	重量	比例	AT-WX-HR148	
审核		日期	2024-08-09	共	页	第	页	
工艺		日期						